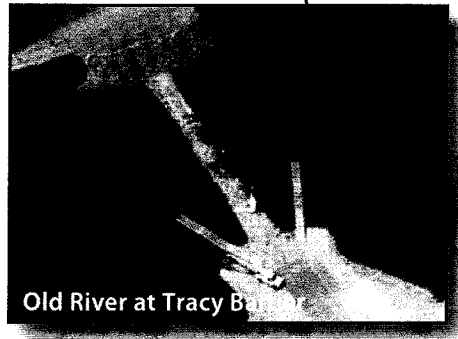
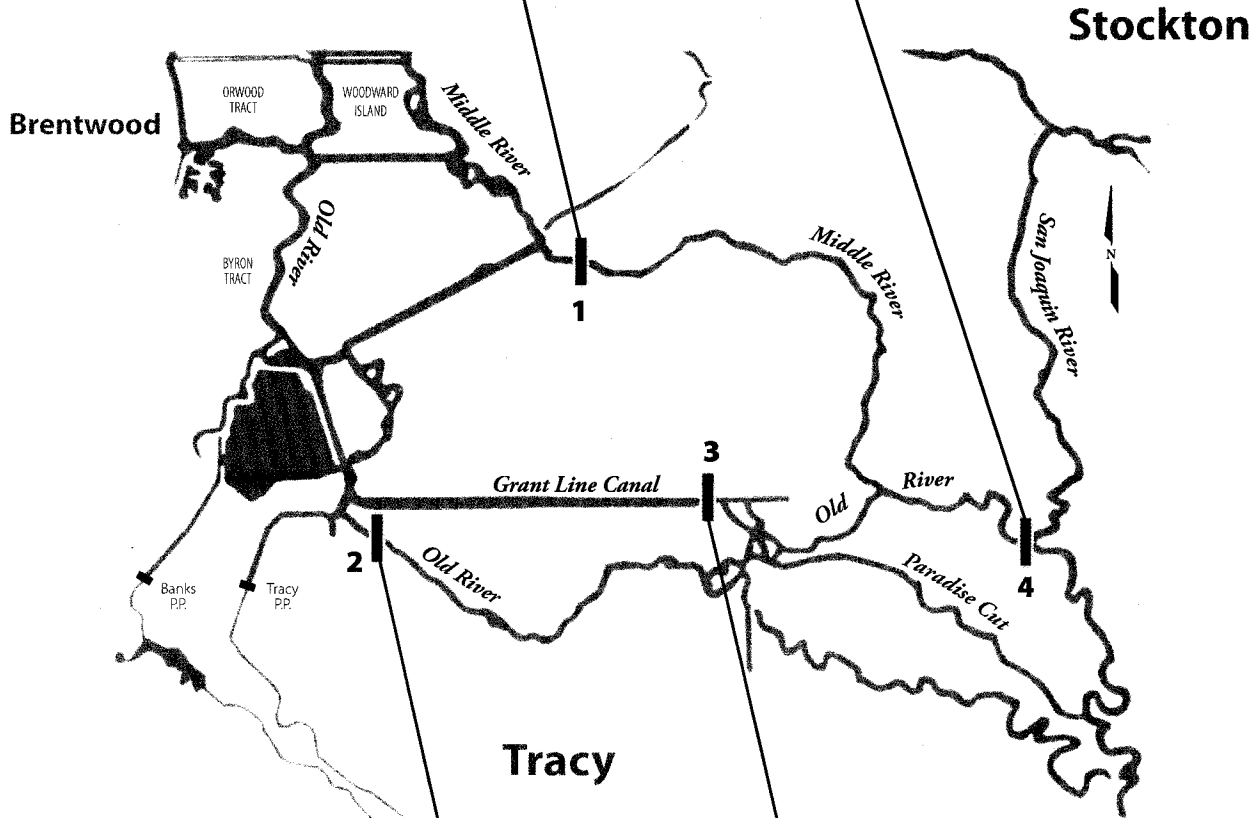


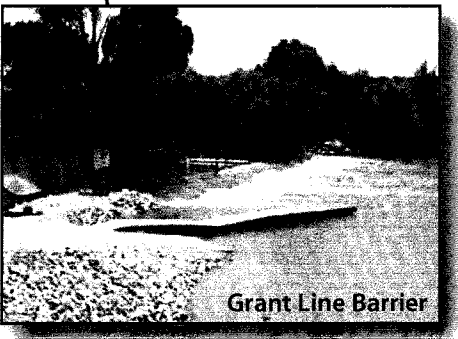
Middle River Barrier



Head of Old River Barrier



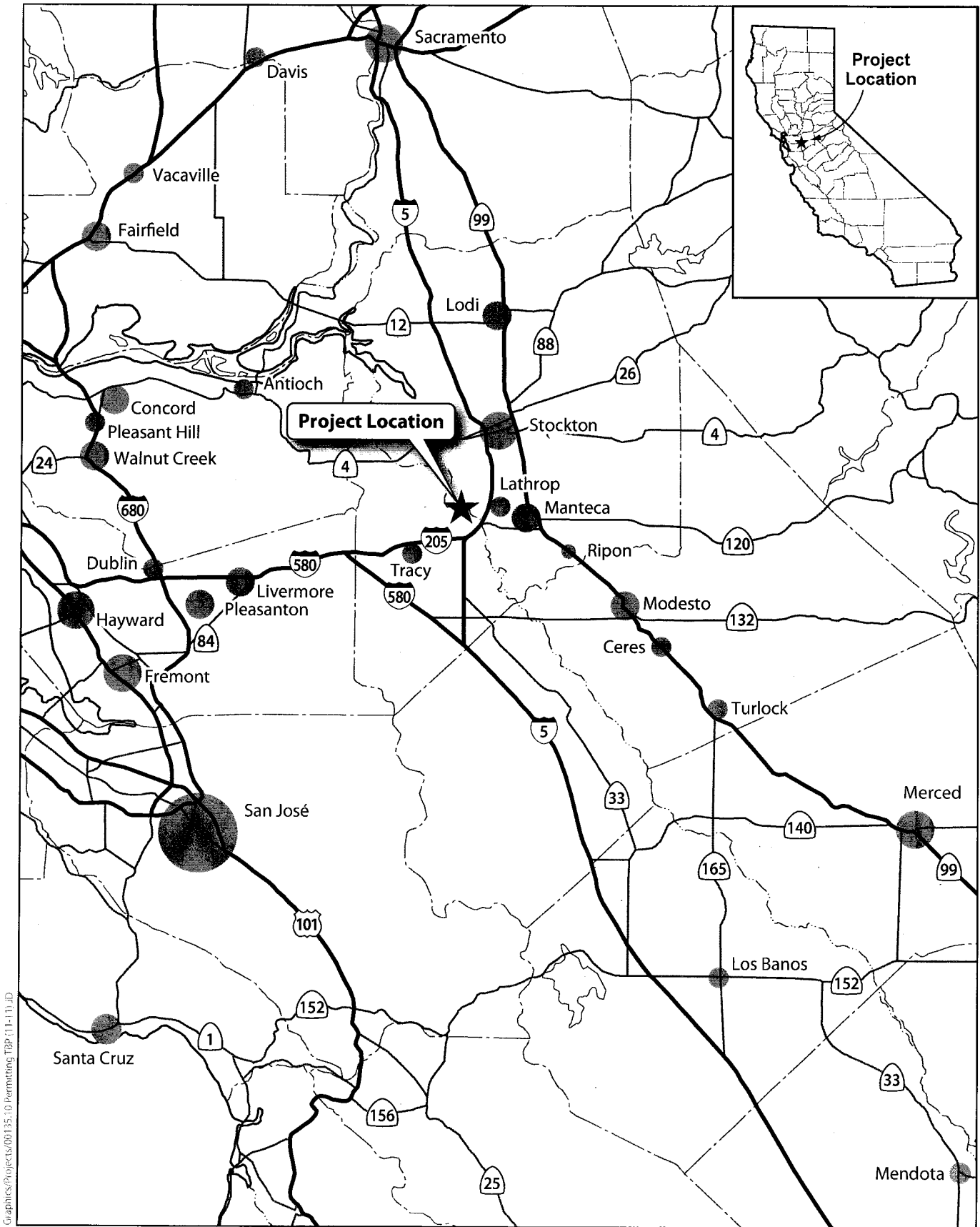
Old River at Tracy Barrier



Grant Line Barrier

Graphics/Projects/00135.10 Permitted TBP (11-11).JD

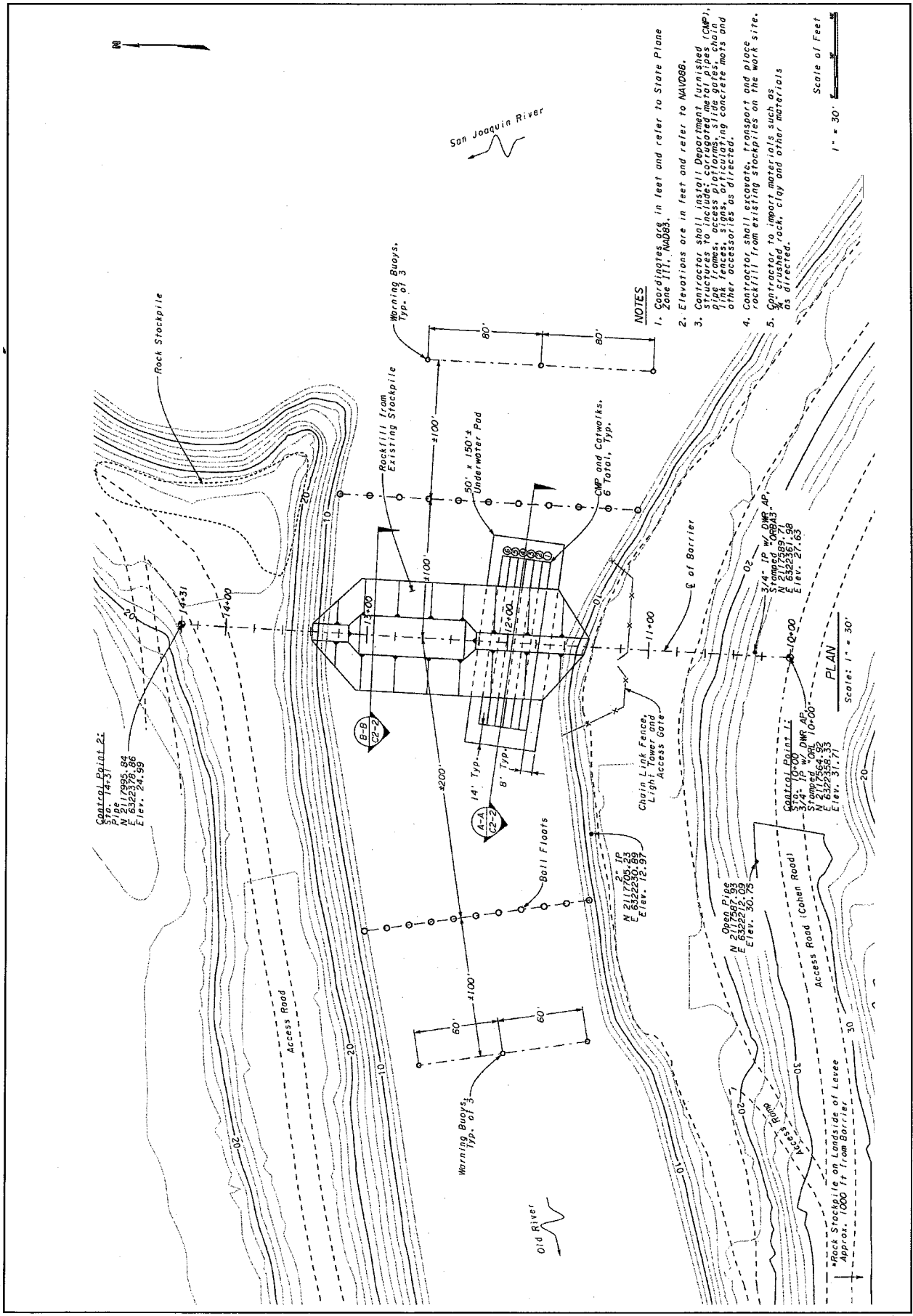
Figure 2  
Project Location Map



Public Notice 200100696

Figure 1  
Project Vicinity

Graphics/Projects/00135.10 Permitting TBP (11-11).jd



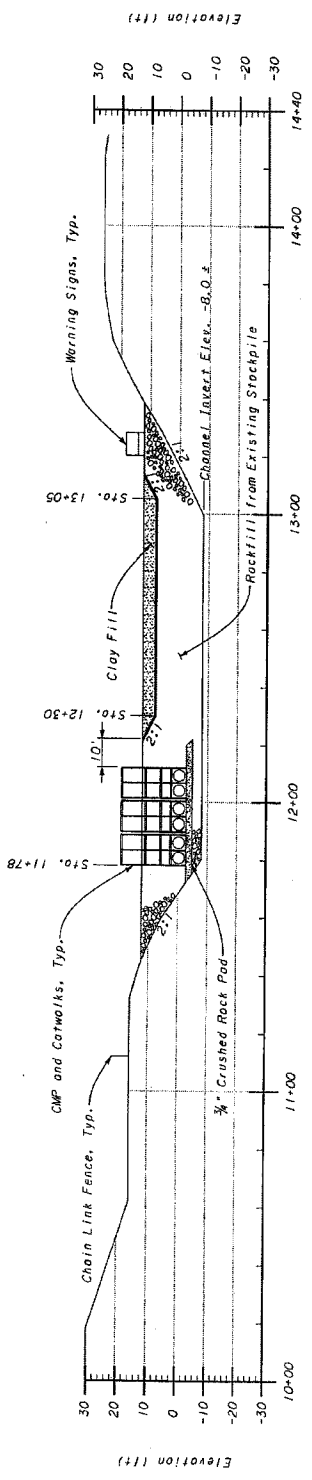
**NOTES**

1. Coordinates,  $\Delta$  in feet and refer to State Plane Zone III, NAD83.
2. Elevations are in feet and refer to NAVD83.
3. Contractor shall install Department furnished structures to include: corrugated metal pipes (CMP), link fences, signs, riprap, riprap concrete mats and other accessories as directed.
4. Contractor shall excavate, transport and place rockfill from existing stockpiles on the work site.
5. Contractor to import materials such as crushed rock, clay and other materials as directed.

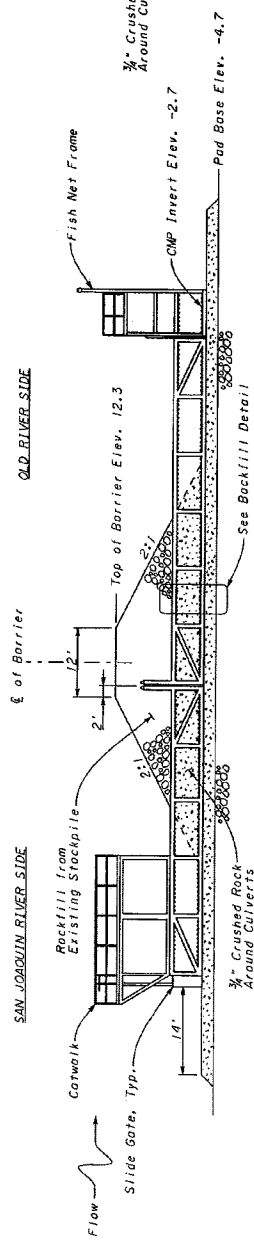
Scale of Feet  
1" = 30'

**Figure 3a**  
**Head of Old River Barrier (Spring)**  
**Plan**

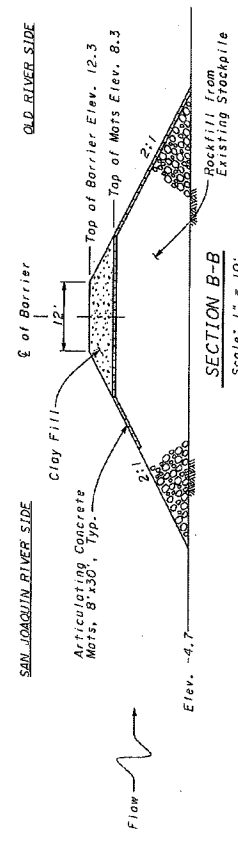
**Public Notice 200100696**



**PROFILE**  
Scale: 1" = 20'  
Dwg. C2-1

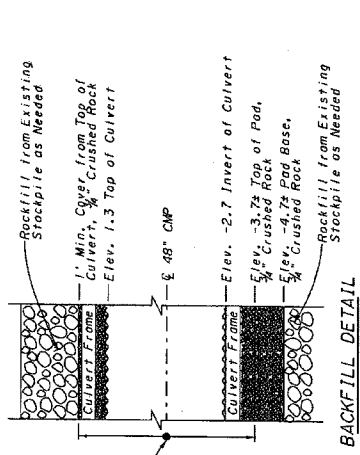


**SECTION A-A**  
Scale: 1" = 10'  
Dwg. C2-1



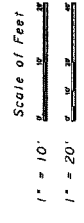
**SECTION B-B**  
Scale: 1" = 10'  
Dwg. C2-1

	Weight Table (lbs.)
U/S Culvert Frame	18,000 ea.
D/S Culvert Frame	20,000 ea.
U/S Riser Section	3,800 ea.
U/S Catwalk	2,500 ea.
D/S Fish Net Frame	7,000 ea.
Slide Gate Valve	900 ea.
Articulating Mats	7,500 ea.
Met Sealed Bar	4,500



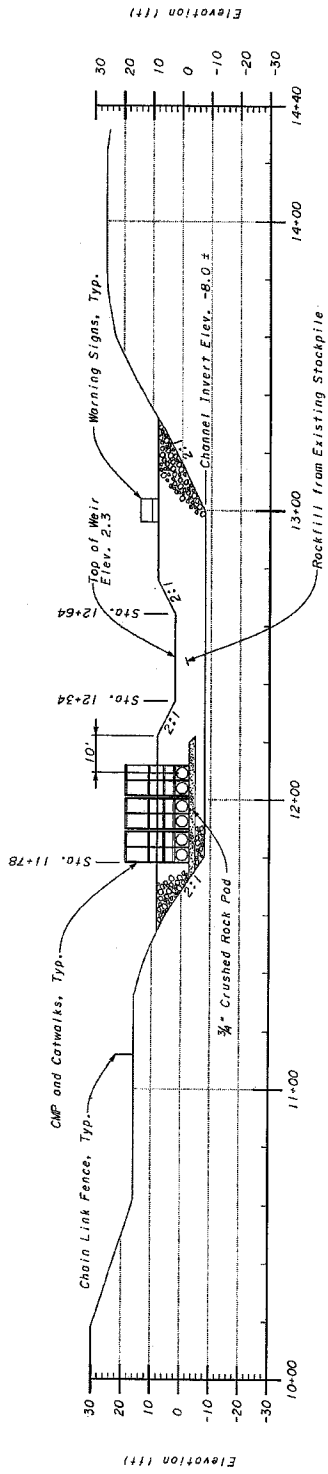
**BACKFILL DETAIL**  
Not to Scale

- NOTES**
1. Elevations are in feet and refer to NAVD88.
  2. Upstream (U/S), Downstream (D/S)

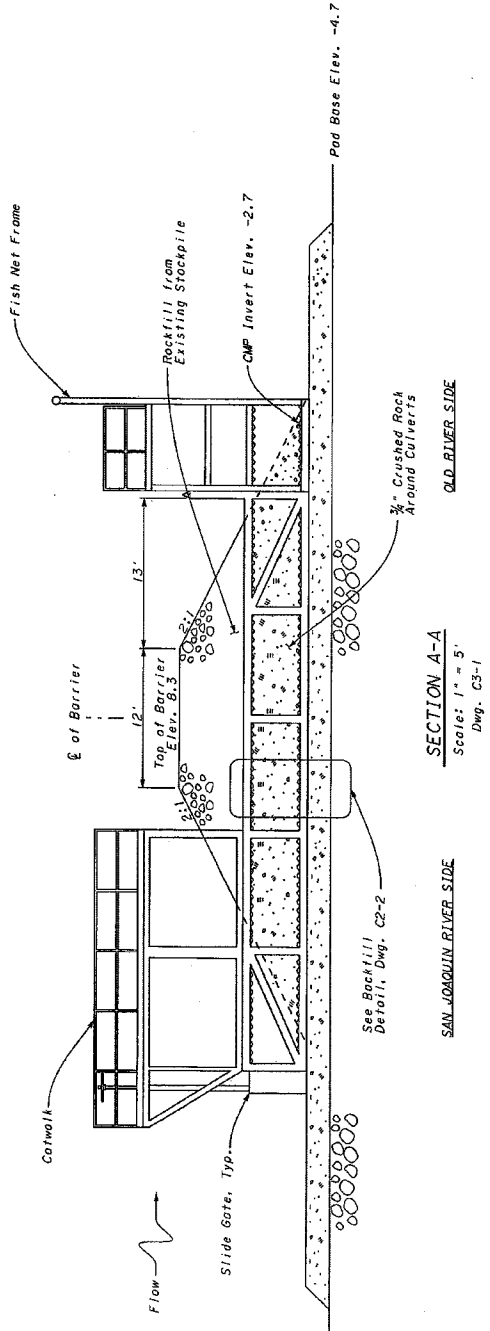


**Public Notice 200100696**

**Figure 3b**  
**Head of Old River (Spring)**  
**Profile, Section and Details**



**PROFILE**  
 Scale: 1" = 20'  
 Dwg. C3-1

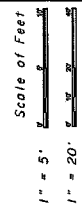


**SECTION A-A**  
 Scale: 1" = 5'  
 Dwg. C3-1

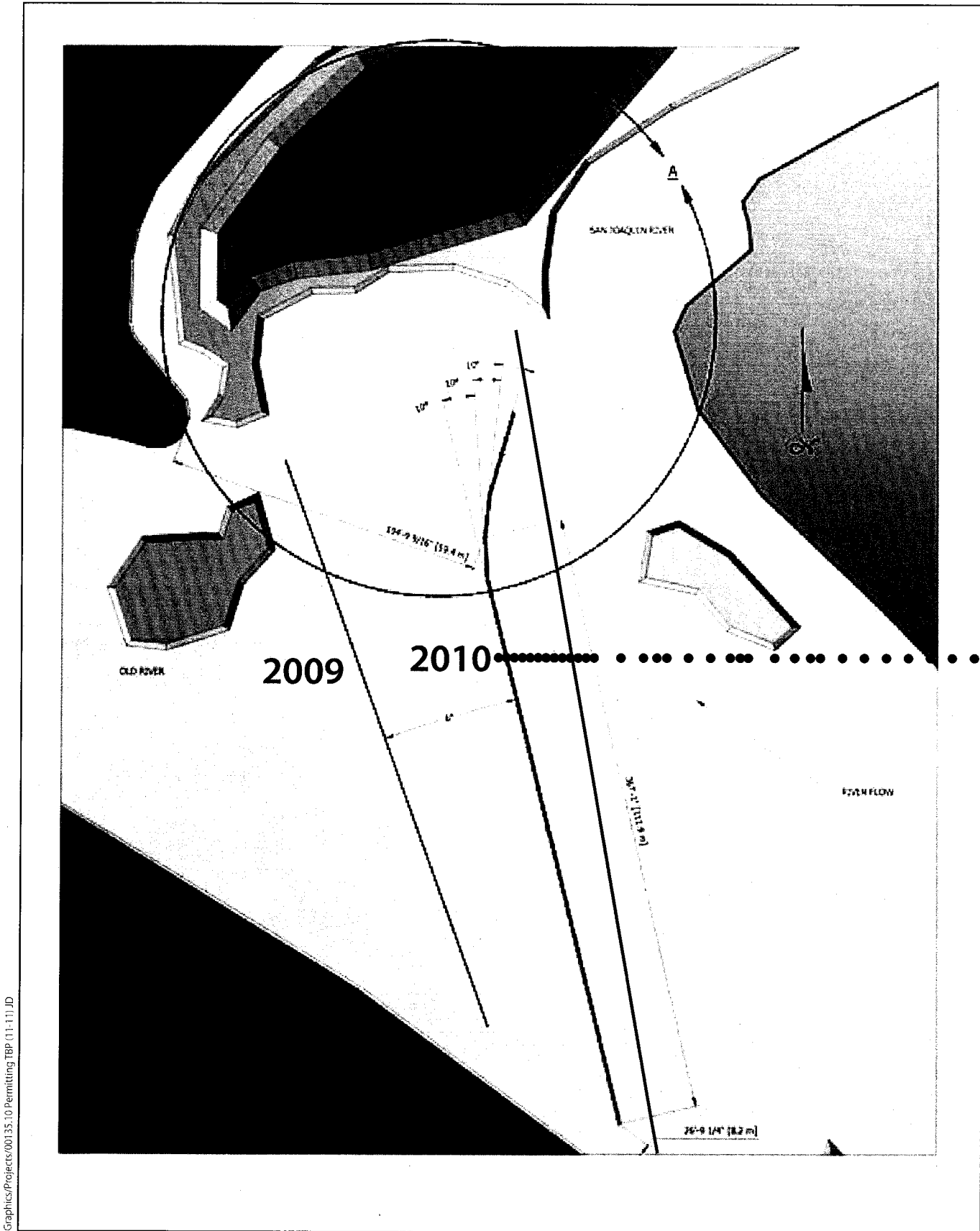
Weight Table (lbs.)	
U/S Culvert Frame	18,000 ea.
U/S Riser Section	3,800 ea.
U/S Catwalk	2,500 ea.
D/S Fish Net Frame	7,000 ea.
Slide Gate Valve	900 ea.
Articulating Mats	7,500 ea.
Mat Spreader Bar	4,500

**NOTES**

1. Elevations are in feet and refer to NAVD83.
2. Upstream (U/S), Downstream (D/S)

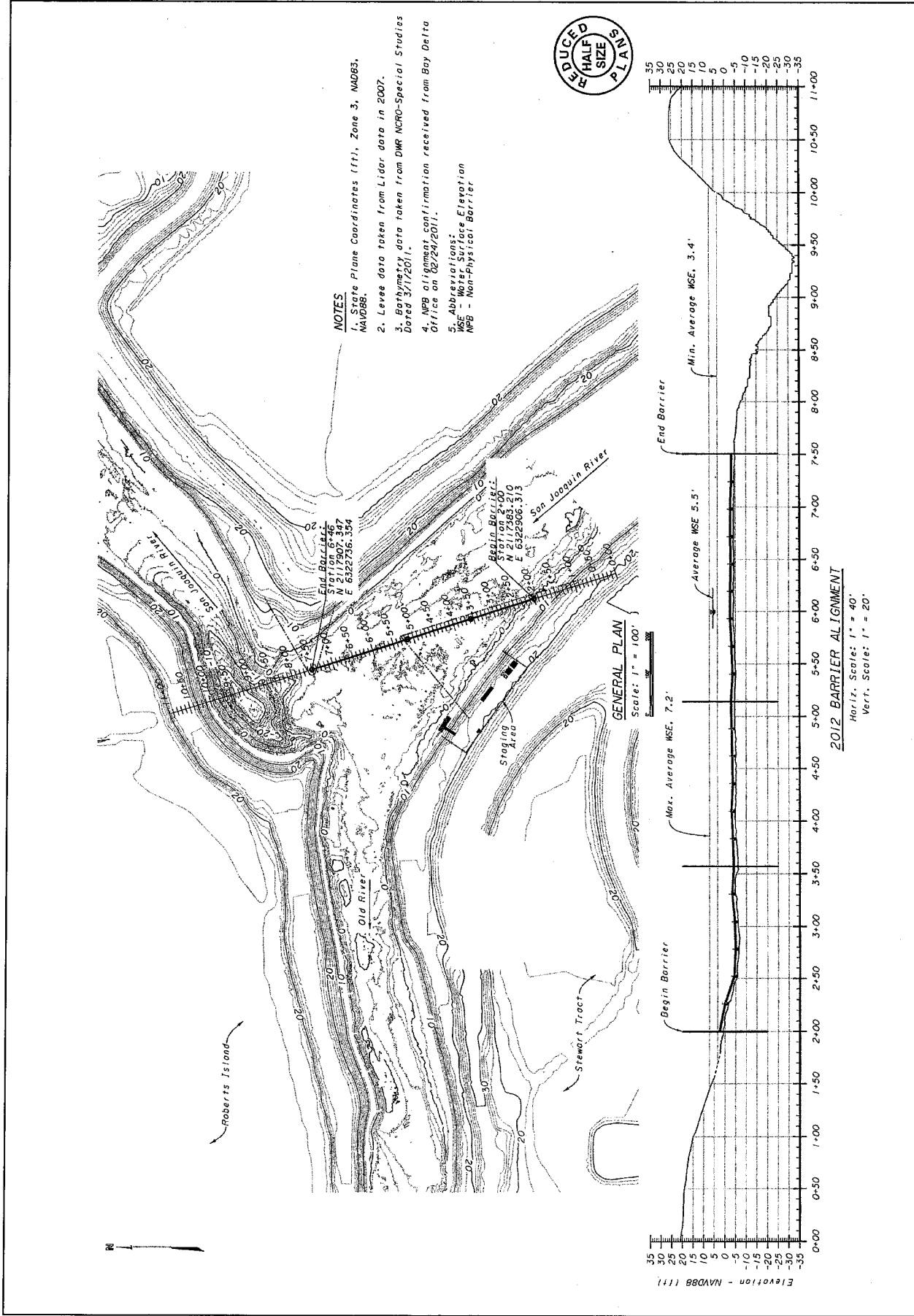


**Figure 4**  
**Head of Old River (Fall)**  
**Profile and Section**



Graphics/Projects/00135:10 Permitting Tbp (11-11).JD

Figure 5a  
2009, 2010 and Optional Barrier Comparison



**Figure 5b**  
**Head of Old River Non-Physical Barrier**  
**Plan and Profile**

**Public Notice 200100696**

