

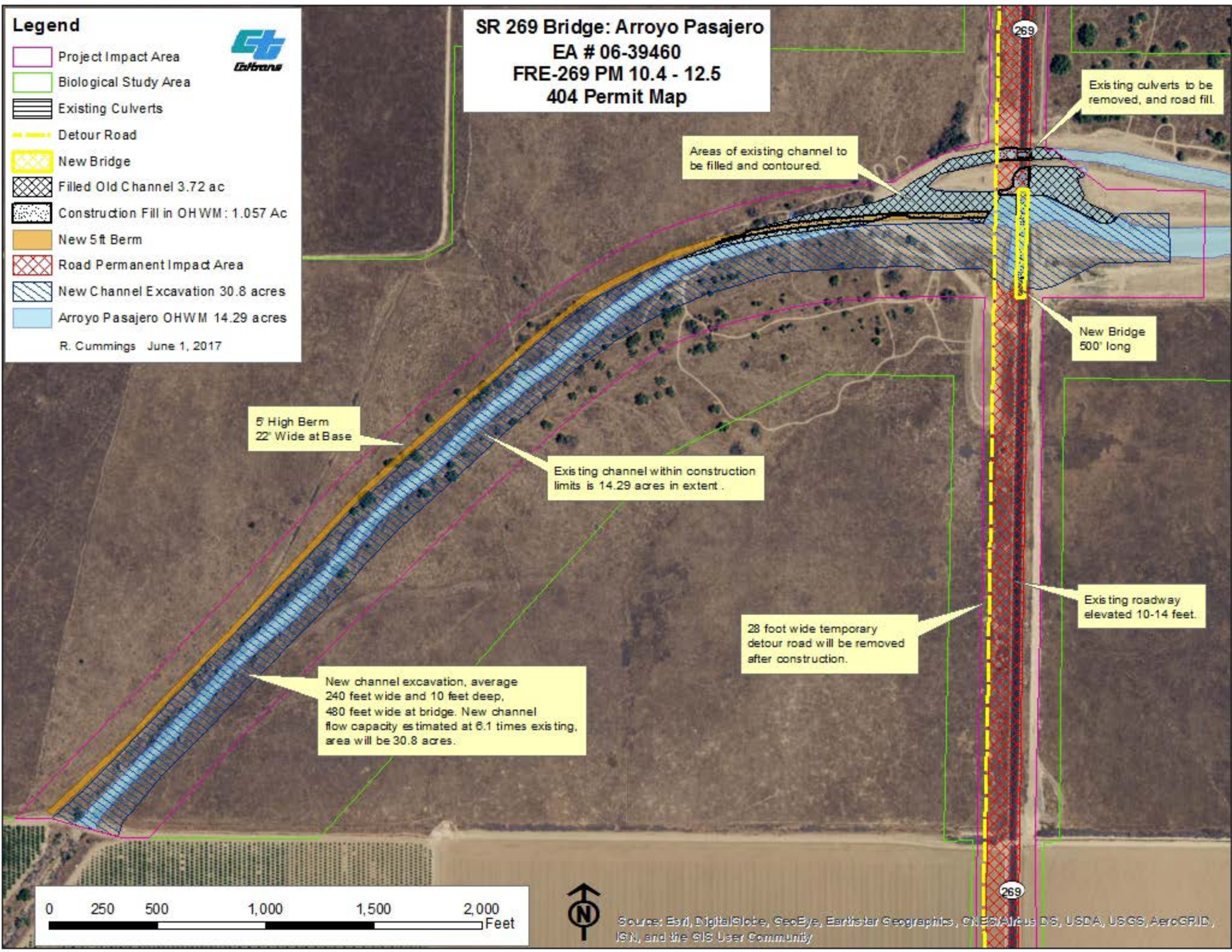
Legend



- Project Impact Area
- Biological Study Area
- Existing Culverts
- Detour Road
- New Bridge
- Filled Old Channel 3.72 ac
- Construction Fill in OHWM: 1.057 Ac
- New 5 ft Berm
- Road Permanent Impact Area
- New Channel Excavation 30.8 acres
- Arroyo Pasajero OHWM 14.29 acres

R. Cummings June 1, 2017

SR 269 Bridge: Arroyo Pasajero EA # 06-39460 FRE-269 PM 10.4 - 12.5 404 Permit Map



Existing culverts to be removed, and road fill.

Areas of existing channel to be filled and contoured.

New Bridge 500' long

5' High Berm
22' Wide at Base

Existing channel within construction limits is 14.29 acres in extent.

New channel excavation, average 240 feet wide and 10 feet deep, 480 feet wide at bridge. New channel flow capacity estimated at 6.1 times existing, area will be 30.8 acres.

28 foot wide temporary detour road will be removed after construction.

Existing roadway elevated 10-14 feet.



Source: Esri, DigitalGlobe, GeoEye, Earthstar Geographics, CNES/Airbus DS, USDA, USGS, AeroGRID, IGN, and the GIS User Community

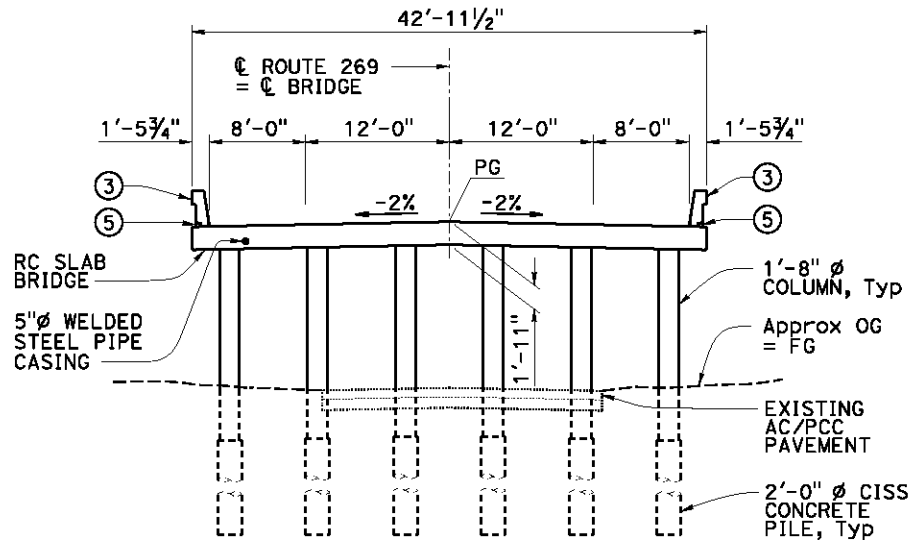
DIST	COUNTY	ROUTE	POST MILES TOTAL PROJECT	SHEET No.	TOTAL SHEETS
06	Fre	269			

REGISTERED CIVIL ENGINEER	X	DATE
HERNAN S. PEREZ		
No. C 60993		
Exp. 12-31-18		
CIVIL		
STATE OF CALIFORNIA		

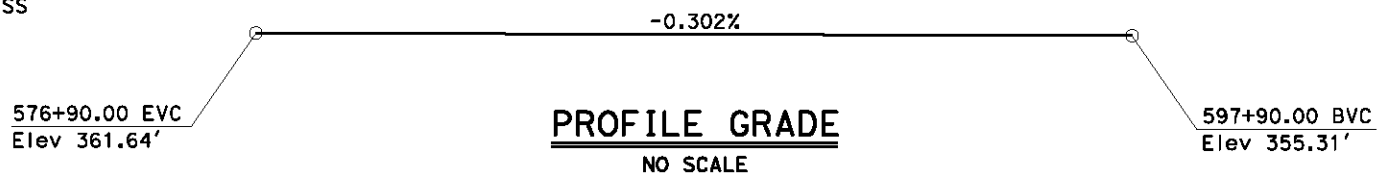
PLANS APPROVAL DATE _____

The State of California or its officers or agents shall not be responsible for the accuracy or completeness of scanned copies of this plan sheet.

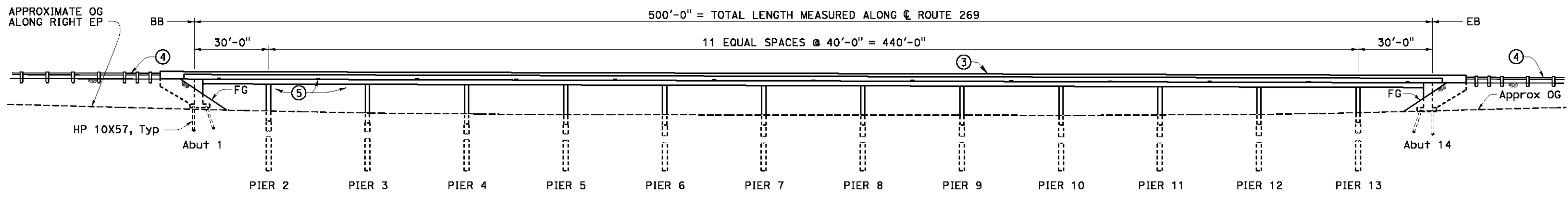
NOTE:
 FOR "INDEX TO PLANS", "STANDARD PLANS" LIST, "QUANTITIES", "GENERAL NOTES" AND "SUPERELEVATION DIAGRAM", SEE "INDEX TO PLANS" SHEET.
 FOR "PILE DATA TABLE" SEE "PIER DETAILS No. 2" SHEET.



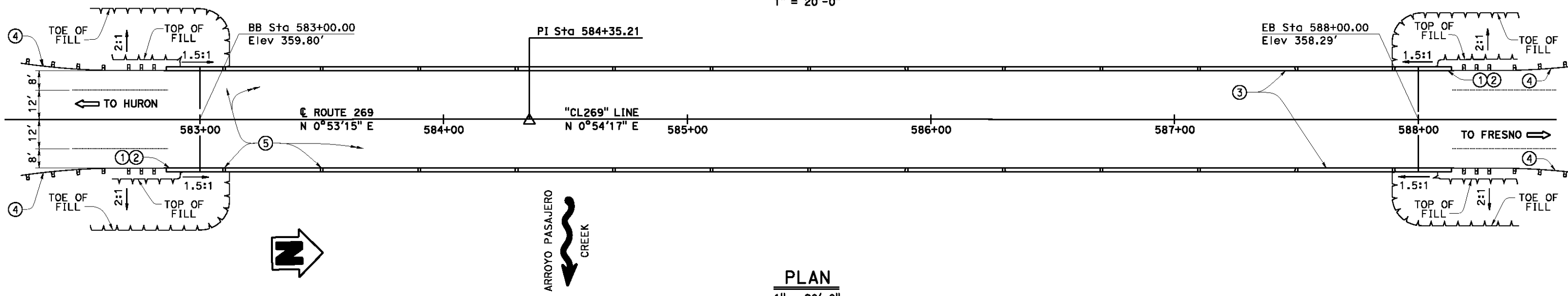
TYPICAL SECTION
 1/8" = 1'-0"



PROFILE GRADE
 NO SCALE



ELEVATION
 1" = 20'-0"



PLAN
 1" = 20'-0"


- NOTES:
- ① PAINT "ARROYO PASAJERO CREEK BRIDGE"
 - ② PAINT "Br No. 42-0452"
 - ③ CONCRETE BARRIER TYPE 736
 - ④ MIDWEST GUARDRAIL SYSTEM, SEE ROADWAY PLANS
 - ⑤ PLACE SCUPPERS EVERY 40 FEET, ON BOTH SIDES, FROM Sta 583+10 TO Sta 587+90.

X DESIGN ENGINEER	DESIGN	BY HERNAN PEREZ	CHECKED DAVID ALVAREZ	LOAD & RESISTANCE FACTOR DESIGN	LIVE LOADINGS HL93 W/"LOW-BOY" PERMIT DESIGN VEHICLE	STATE OF CALIFORNIA DEPARTMENT OF TRANSPORTATION	DIVISION OF ENGINEERING SERVICES STRUCTURE DESIGN DESIGN BRANCH 6	BRIDGE NO.	42-0452	ARROYO PASAJERO CREEK BRIDGE GENERAL PLAN	
	DETAILS	BY SUSAN NG	CHECKED DAVID ALVAREZ	LAYOUT	BY SUSAN NG			CHECKED DAVID ALVAREZ	POST MILE		11.23
	QUANTITIES	BY ERWIN RUFINO	CHECKED HILARIO TUAZON / DAVID PATO	SPECIFICATIONS	BY X			CHECKED X	UNIT: 3591 PROJECT NUMBER & PHASE: 06 0002 0595 1		CONTRACT NO.: 06-394604

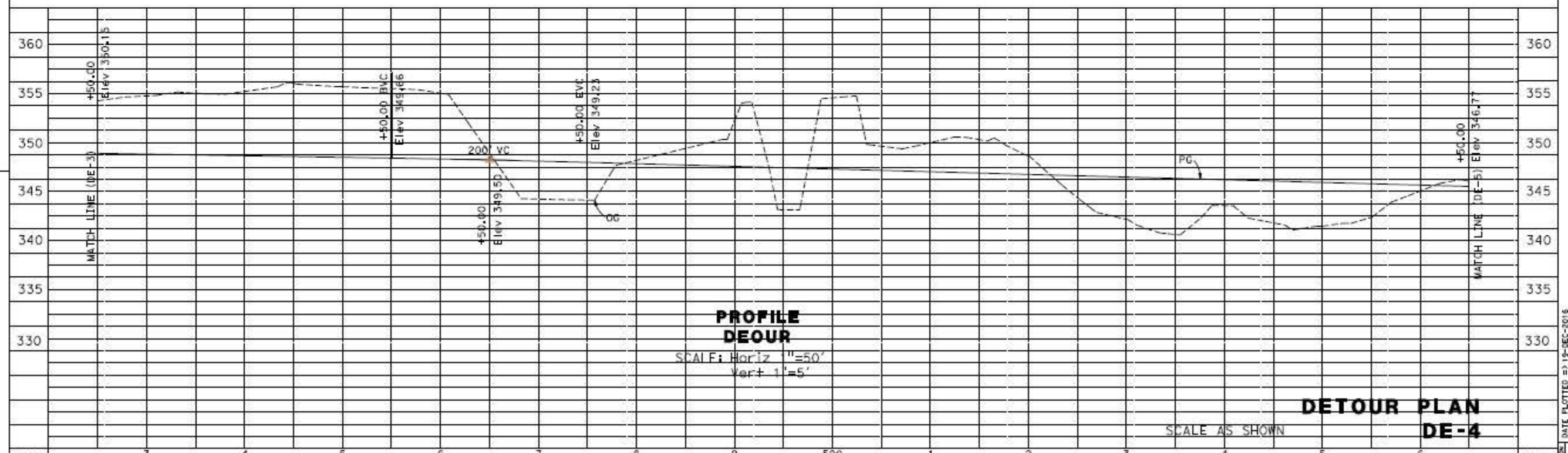
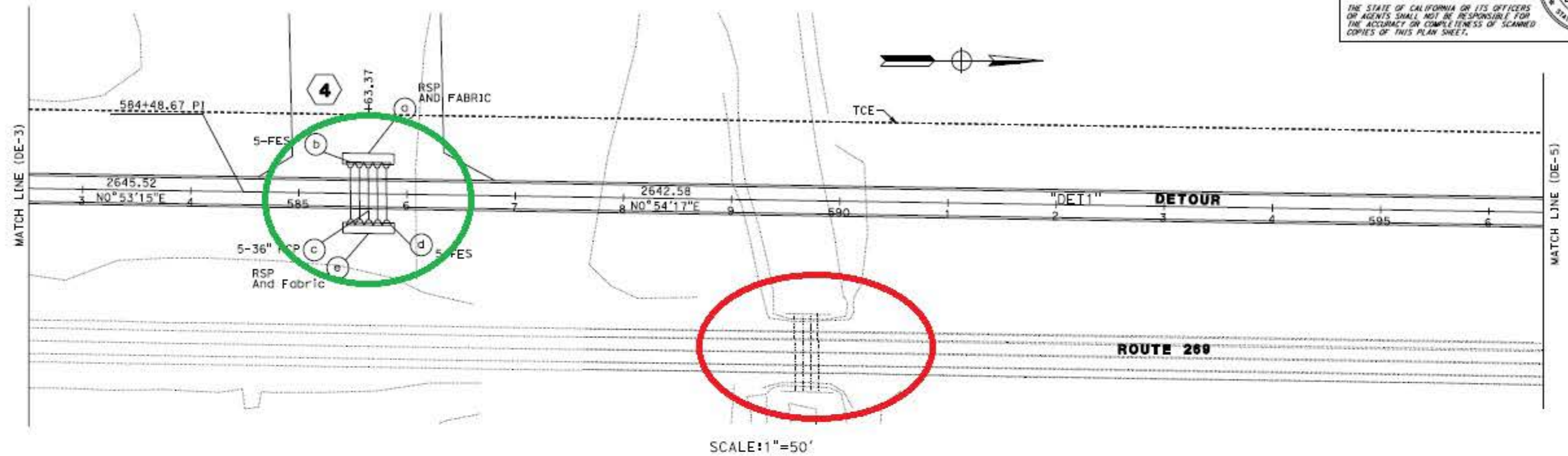
DIST	COUNTY	ROUTE	POST MILES TOTAL PROJECT	SHEET NO.	TOTAL SHEETS
06	Fre	269	10.4/12.5		???

95% PS&E
REGISTERED CIVIL ENGINEER DATE _____
PLANS APPROVAL DATE _____

THE STATE OF CALIFORNIA OR ITS OFFICERS OR AGENTS SHALL NOT BE RESPONSIBLE FOR THE ACCURACY OR COMPLETENESS OF SCANNED COPIES OF THIS PLAN SHEET.



NOTE:
FOR ACCURATE RIGHT OF WAY DATA, CONTACT
RIGHT OF WAY ENGINEERING AT THE DISTRICT OFFICE.



STATION	3	4	5	6	7	8	9	590	1	2	3	4	5	6	TOTAL
Exc															8123
Emb															2045

STATE OF CALIFORNIA - DEPARTMENT OF TRANSPORTATION
Caltrans
DESIGN
FUNCTIONAL SUPERVISOR: SHAHIN MANSOUR

REVISOR: AMRINDER SINGH, MANNY T. MARCOS
CHECKED BY: _____